



FINISHING

FORM FINISHERS FOR COATS, JACKETS AND DRESSES MA-360 A / C

CHARACTERISTICS

- The working cycle is completely automatic and the steaming and drying duration is adjustable by three timers.
- The shoulder width and the bag are adjustable.
- The support of the bag (frame) with its controls rotates to 360°.

MA-360 A

- Complete with built-in steam boiler, 18 litres.
- Electrical connection: 230/400V III 50Hz
- Automatic water feeding.
- Automatic pressure control (4,5 bar).

MA-360 C

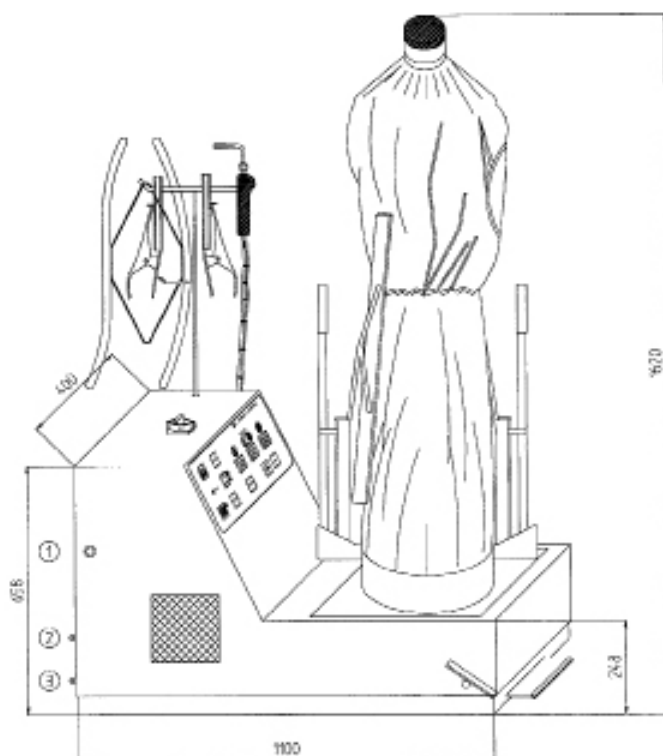
- Without steam boiler, to be connected to a central steam supply.
- It needs a steam inlet and outlet.
- Electrical connection: 230/400V III 50Hz



TECHNICAL DATA

FORM FINISHERS FOR COATS, JACKETS AND DRESSES | MA-360 A / C

	UNIT.	MA-360 A	MA-360 C
GENERAL DETAILS			
Board dimensions	mm	-	-
Boiler	-	Yes	No
Boiler capacity	l	18	-
Compressor	-	-	-
Group of Iron	-	-	-
Steam gun	-	Opt	-
Polished upper buck	-	-	-
POWER			
Vacuum Motor	HP	-	-
Pump Motor	HP	0,8	-
Boiler Heater (Mod. with option)	kW	12	-
Fan motor	kW	1	1
CONNECTIONS			
Ø Water inlet	BSP	3/8"	-
Ø Boiler exhaust (mod. with boiler)	BSP	1/2"	-
Ø Steam inlet	BSP	-	3/8"
Ø Condensate outlet	BSP	-	3/8"
Steam pressure	BAR	4,5	4,5
Steam Consumption	Kg/h	10-15	10-15
Ø Air inlet	BSP	-	-
Ø Air outlet	mm	-	-
Ø Air pressure	BSP	-	-
Ø Air Consumption	BAR NI/m	-	-
DIMENSIONS / PACKING DIMENSIONS			
Width / Width	mm	1.360/1.390	1.200/1.390
Depth / Depth	mm	610/640	580/640
Height / Height	mm	1.780/1.910	1.620/1.910
Net weight / Gross weight	kg	130/151	88/109
Volume	m ³	1,48/1,70	1,13/1,70
OTHERS			
Voltage	Hz	230/400V III 50	230/400V III 50
Sound level	dB	70	70



- 01. Inlet electrical power
- 02. Condensate purge
- 03. Steam inlet



FINISHING

FORM FINISHERS FOR JACKETS AND SLEEVED GARMENTS MC-105

CHARACTERISTICS

- Working cycle by electronic card with 9 stored finishing programs.
- Telescopic shape till 1500 mm.
- Special 350° revolving body form plus automatic front & rear paddle clamps.
- Sensor for the automatic research of the height of the garment.
- Double antistretching system in large (waist) and in height (length).
- Mechanical adjustable shoulder group and dedicated collar clamp.
- Damper for air-volume regulation.
- For central steam & compressed air supply line.
- It can be installed with the steam generator MAXI-24-22.



TECHNICAL DATA

FORM FINISHERS FOR JACKETS AND SLEEVED GARMENTS | MC-105

	UNIT.	MC-105
GENERAL DETAILS		
Board dimensions	mm	-
Boiler	-	No
Boiler capacity	l	-
Compressor	-	-
Steam iron assembly	-	Opt
Steam gun	-	-
Polished upper buck	-	-
POWER		
Vacuum Motor	HP	-
Pump Motor	HP	-
Compressor motor (Mod. with option)	-	-
Boiler Heater (Mod. with option)	-	-
Fan motor	HP	2
CONNECTIONS		
Ø Water inlet	BSP	-
Ø Boiler exhaust (mod. with boiler)	BSP	-
Ø Steam inlet	BSP	1/2"
Ø Condensate outlet	BSP	1/2"
Steam pressure	BAR	5-6
Steam Consumption	Kg/h	10-15
Ø Air inlet	BSP	1/4"
Ø Air outlet	BSP	1/4"
Air pressure	BAR	5-6
Air Consumption	NI/m	8-9
DIMENSIONS / PACKING DIMENSIONS		
Width / Width	mm	650/800
Depth / Depth	mm	900/1.050
Height / Height	mm	1.600/1.850
Net weight / Gross weight	kg	160/230
Volume	m ³	1,22/1,55
OTHERS		
Voltage	Hz	230/400V III 50/60
Sound level	dB	70



FINISHING

—

FORM FINISHERS FOR JACKETS AND SLEEVED GARMENTS MC-100

CHARACTERISTICS

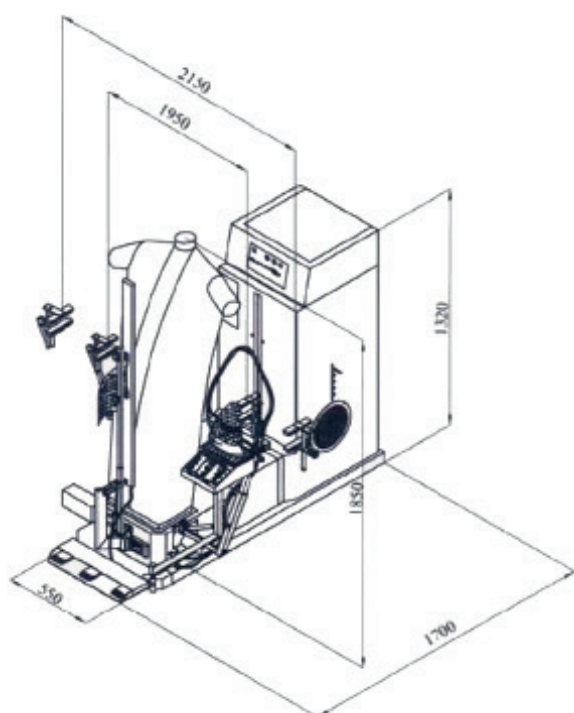
- To be connected to a central steam supply.
- Two sleeve stretchers with double independent traction.
- Front heated and reclining panel.
- Automatic carriage with photocell for the stretching of side and back part.
- Powerful 3 HP fan.
- Button placket part of the dummy with suction.
- Electronic card featuring ten programs for an automatic working cycle.
- Steam iron connection complete with «all-steam»-iron.
- Air superheater ranging from 0° to 350° C.
- Electronic card for the setting of 9 ironing cycles in total.
- It needs compressed air.
- Air working pressure: 5-6 bar.
- Air consumption: 20 NI/min.
- Electric connection: 400V III +N.



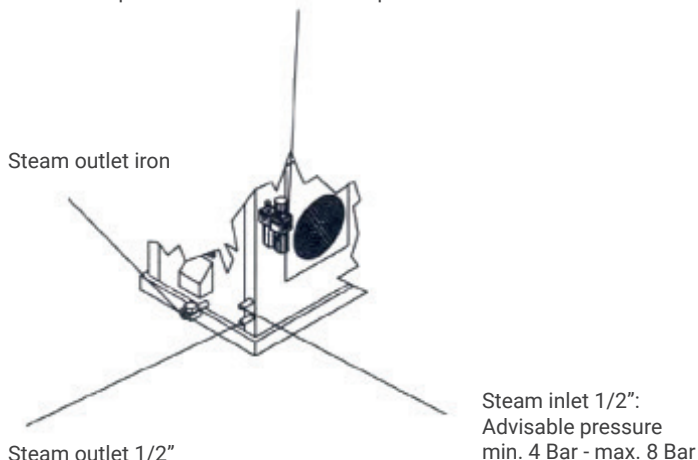
TECHNICAL DATA

FORM FINISHERS FOR SHIRTS AND JACKETS | MC-100

	UNIT.	MC-100
GENERAL DETAILS		
Board dimensions	mm	-
Boiler	-	No
Boiler capacity	l	-
Compressor	-	-
Steam iron assembly	-	-
Steam gun	-	-
Polished upper buck	-	-
POWER		
Vacuum Motor	HP	-
Pump Motor	HP	-
Compressor motor (Mod. with option)	-	-
Boiler Heater (Mod. with option)	-	-
Fan motor	HP	3
CONNECTIONS		
Ø Water inlet	BSP	-
Ø Boiler exhaust (mod. with boiler)	BSP	-
Ø Steam inlet	BSP	1/2"
Ø Condensate outlet	BSP	1/2"
Steam pressure	BAR	4-8
Steam Consumption	Kg/h	20-30
Ø Air inlet	BSP	1/4"
Ø Air outlet	BSP	1/4"
Air pressure	BAR	6
Air Consumption	NI/m	20
DIMENSIONS / PACKING DIMENSIONS		
Width / Width	mm	1.900/1.940
Depth / Depth	mm	1.600/1.190
Height / Height	mm	1.850/1.850
Net weight / Gross weight	kg	189/276
Volume	m ³	5,62/4,27
OTHERS		
Voltage	Hz	400V III 50/60
Sound level	dB	70



Compressed air 1/4": Advisable pressure min. 4 Bar - max. 7 Bar





FINISHING

FINISHING TOPPER FOR TROUSERS T-3000 C/A



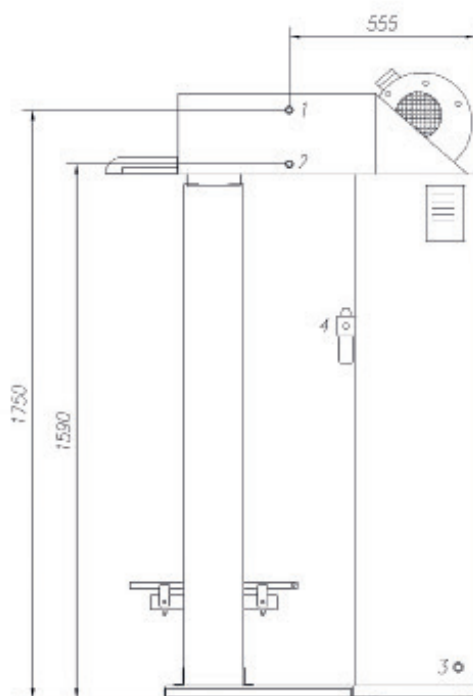
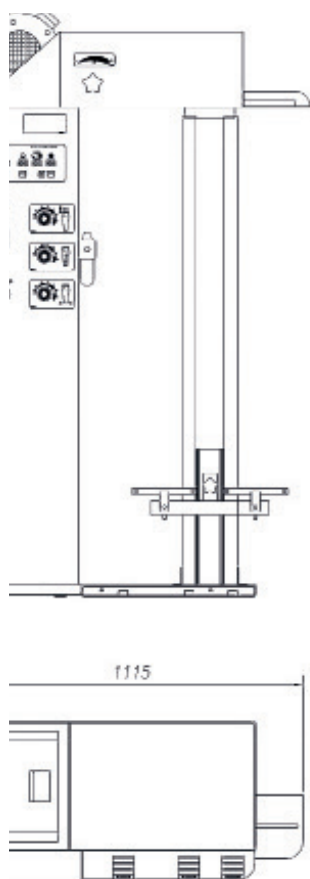
CHARACTERISTICS

- 2 MODELS
 - C: without boiler
 - A: with boiler
- With air-operated waistband and leg stretching device, for central steam and compressed air supplies.
- Side waistband stretching device.
- Height adjustable leg stretching carriage and leg clamps made of stainless steel.
- Built-in three phases fan. Air heating device.
- Electronic card for the setting of 9 ironing cycles in total.
- Ironing cycle controlling: steaming time, steam/air time, drying time.
- Three pressure regulators (for leg clamps, waistband stretcher and leg stretching carriage).
- Switch for the exclusion of the leg stretching carriage.
- Manual size indicator.
- Mechanical airflow regulator.
- It needs compressed air, 5 bar - 40 NI/min.
- Connection: 230/400V III 50Hz

TECHNICAL DATA

FINISHING TOPPER FOR TROUSERS | T-3000 C/A

	UNIT.	T-3000 C	T-3000 A
GENERAL DETAILS			
Boiler	-	No	Yes
Compressor	-	No	No
Group of Iron	-	-	-
Steam gun	-	-	-
POWER			
Vacuum Motor	HP	-	-
Pump Motor	HP	-	-
Compressor motor (Mod. with option)	HP	-	-
Boiler Heater (Mod. with option)	kW	-	6
Fan motor	HP	1-1,5	1-1,5
CONNECTIONS			
Ø Water inlet	BSP	-	-
Ø Steam inlet	BSP	3/8"	-
Ø Condensate outlet	BSP	3/8"	-
Steam pressure	BAR	5	5
Steam Consumption	Kg/h	15-20	-
Ø Air inlet	BSP	1/4"	1/4"
Ø Air pressure	BAR	5	5
Ø Air Consumption	NI/m	40	40
DIMENSIONS / PACKING DIMENSIONS			
Width / Width	mm	1.115/1.210	1.115/1.210
Depth / Depth	mm	630/780	630/780
Height / Height	mm	1.950/2.100	1.950/2.100
Net weight / Gross weight	kg	119/175	165/225
Volume	m ³	1,37/1,98	1,37/1,98
OTHERS			
Voltage	Hz	230/400V III 50/60	230/400V III 50/60
Sound level	dB	70	70



- 01. Steam inlet
- 02. Condensate purge
- 03. Inlet electrical power
- 04. Compressed air inlet